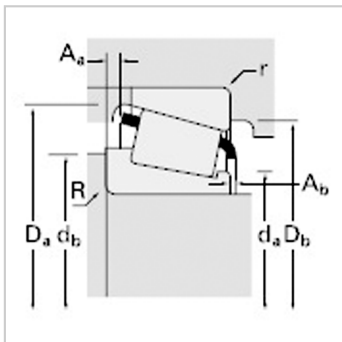
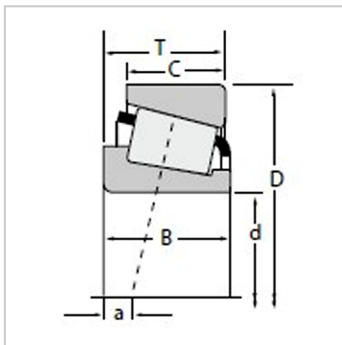


Taper Roller Bearing

d 133.350-150.000-9552895925



Bearing model :

Inner ring : 95528

Outer ring : 95925

Dimension mm :

d : 133.35

D : 234.95

T : 63.5

Rated load n :

Dynamic load : 582000

Coefficiente : 0.37

Coefficienty : 1.62

Dynamic load : 151000

Dynamic load : 95500

Coefficientk : 1.58

Static load C : 931000

Bearing size mm :

B : 63.5

C : 49.212

a : -14

Shaft size mm :

Maximum shoulder  
chamfer radius r : 4.8

Shoulder diameter d : 148

Shoulder diameter d : 157

Dimension of bearing  
pedestal mm :

Maximum shoulder  
chamfer radius r : 3.3

Shoulder diameter d : 217

Shoulder diameter d : 209

Cage :

A :	6.4
-----	-----

A :	3.8
-----	-----

coefficient :

G :	454
-----	-----

G :	59.3
-----	------

G :	0.1323
-----	--------

Weight kg :	11.11
-------------	-------

:

Tapered roller bearing belongs to separate bearing, and the inner and outer rings of the bearing have tapered raceways. This type of bearing is divided into single row, double row and four row tapered roller bearings according to the number of rows of rollers installed. Single row tapered roller bearings can withstand radial load and axial load in a single direction. When the bearing bears radial load, an axial component will be generated, so another bearing that can bear the axial force in the opposite direction is needed to balance.