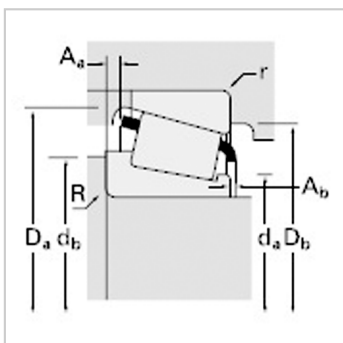
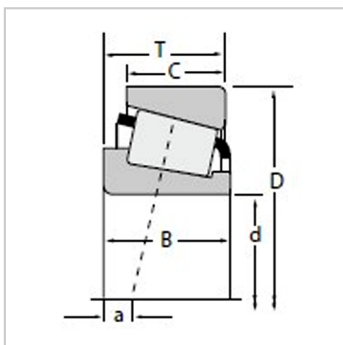


Taper Roller Bearing

d 133.350-150.000-7355173875



Bearing model :

Inner ring :	73551
Outer ring :	73875

Dimension mm :

d :	139.7
D :	222.25
T :	34.925

Rated load n :

Dynamic load :	229000
Coefficiente :	0.44
Coefficienty :	1.37
Dynamic load :	59300
Dynamic load :	44400
Coefficientk :	1.34
Static load C :	342000

Bearing size mm :

B :	31.623
C :	23.812
a :	6.4

Shaft size mm :

Maximum shoulder chamfer radius r :	3.5
Shoulder diameter d :	150
Shoulder diameter d :	156

Dimension of bearing pedestal mm :

Maximum shoulder chamfer radius r :	3.3
Shoulder diameter d :	207
Shoulder diameter d :	204

Cage :

A :	5.7
-----	-----

A :	3.9
-----	-----

coefficient :

G :	244
-----	-----

G :	82
-----	----

G :	0.1122
-----	--------

Weight kg :	4.26
-------------	------

:

Tapered roller bearing belongs to separate bearing, and the inner and outer rings of the bearing have tapered raceways. This type of bearing is divided into single row, double row and four row tapered roller bearings according to the number of rows of rollers installed. Single row tapered roller bearings can withstand radial load and axial load in a single direction. When the bearing bears radial load, an axial component will be generated, so another bearing that can bear the axial force in the opposite direction is needed to balance.