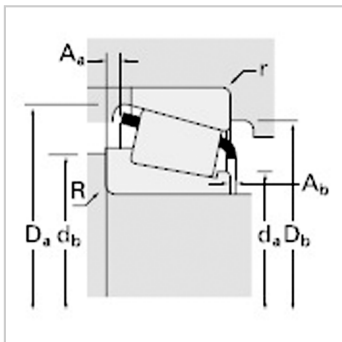
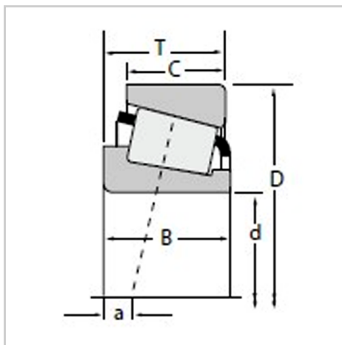


Taper Roller Bearing

d 133.350-150.000-898892



Bearing model :

Inner ring :	898
Outer ring :	892

Dimension mm :

d :	139.7
D :	228.6
T :	57.15

Rated load n :

Dynamic load :	482000
Coefficiente :	0.42
Coefficienty :	1.43
Dynamic load :	125000
Dynamic load :	90000
Coefficientk :	1.39
Static load C :	809000

Bearing size mm :

B :	57.15
C :	44.45
a :	-6.1

Shaft size mm :

Maximum shoulder chamfer radius r :	3.5
Shoulder diameter d :	153
Shoulder diameter d :	160

Dimension of bearing pedestal mm :

Maximum shoulder chamfer radius r :	3.3
Shoulder diameter d :	216
Shoulder diameter d :	205

Cage :

A :	6.4
-----	-----

A :	1.4
-----	-----

coefficient :

G :	430
-----	-----

G :	78.2
-----	------

G :	0.1355
-----	--------

Weight kg :	8.64
-------------	------

:

Tapered roller bearing belongs to separate bearing, and the inner and outer rings of the bearing have tapered raceways. This type of bearing is divided into single row, double row and four row tapered roller bearings according to the number of rows of rollers installed. Single row tapered roller bearings can withstand radial load and axial load in a single direction. When the bearing bears radial load, an axial component will be generated, so another bearing that can bear the axial force in the opposite direction is needed to balance.