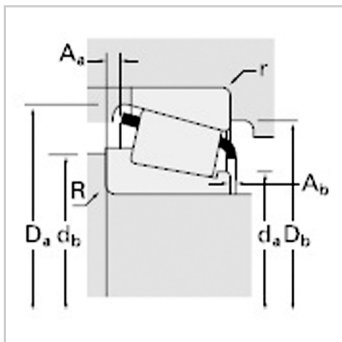
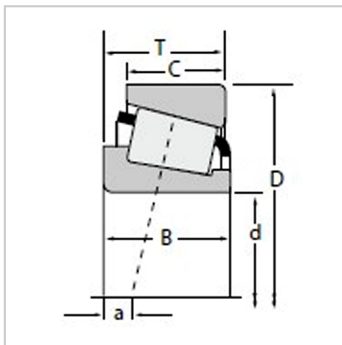


Taper Roller Bearing

d 133.350-150.000-7455074850



Bearing model :

Inner ring :	74550
Outer ring :	74850

Dimension mm :

d :	139.7
D :	215.9
T :	47.625

Rated load n :

Dynamic load :	354000
Coefficiente :	0.49
Coefficienty :	1.23
Dynamic load :	91700
Dynamic load :	76500
Coefficientk :	1.2
Static load C :	614000

Bearing size mm :

B :	47.625
C :	34.925
a :	2.3

Shaft size mm :

Maximum shoulder chamfer radius r :	3.5
Shoulder diameter d :	151
Shoulder diameter d :	158

Dimension of bearing pedestal mm :

Maximum shoulder chamfer radius r :	3.3
Shoulder diameter d :	208
Shoulder diameter d :	196

Cage :

A :	4.8
-----	-----

A :	2
-----	---

coefficient :

G :	363
-----	-----

G :	63.3
-----	------

G :	0.1338
-----	--------

Weight kg :	6.01
-------------	------

:

Tapered roller bearing belongs to separate bearing, and the inner and outer rings of the bearing have tapered raceways. This type of bearing is divided into single row, double row and four row tapered roller bearings according to the number of rows of rollers installed. Single row tapered roller bearings can withstand radial load and axial load in a single direction. When the bearing bears radial load, an axial component will be generated, so another bearing that can bear the axial force in the opposite direction is needed to balance.