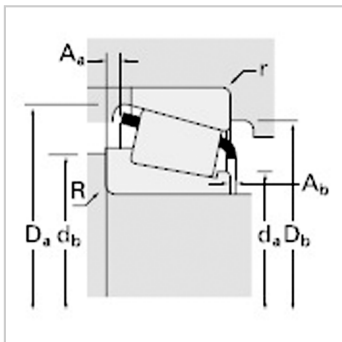
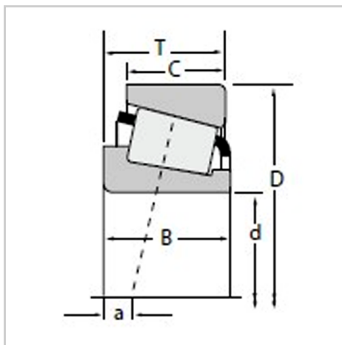


Taper Roller Bearing

d 508.000-615.950-EE649237649310



Bearing model :

Inner ring :	EE649237
Outer ring :	649310

Dimension mm :

d :	602.945
D :	787.4
T :	93.662

Rated load n :

Dynamic load :	2230000
Coefficiente :	0.37
Coefficienty :	1.62
Dynamic load :	579000
Dynamic load :	367000
Coefficientk :	1.58
Static load C :	5620000

Bearing size mm :

B :	93.662
C :	69.85
a :	31.5

Shaft size mm :

Maximum shoulder chamfer radius r :	6.4
Shoulder diameter d :	630
Shoulder diameter d :	639

Dimension of bearing pedestal mm :

Maximum shoulder chamfer radius r :	6.4
Shoulder diameter d :	755.5
Shoulder diameter d :	747

Cage :

A : 11.2

A : 6.2

coefficient :

G : 9380

G : 929

G : 0.279

Weight kg : 110.72

:

Tapered roller bearing belongs to separate bearing, and the inner and outer rings of the bearing have tapered raceways. This type of bearing is divided into single row, double row and four row tapered roller bearings according to the number of rows of rollers installed. Single row tapered roller bearings can withstand radial load and axial load in a single direction. When the bearing bears radial load, an axial component will be generated, so another bearing that can bear the axial force in the opposite direction is needed to balance.