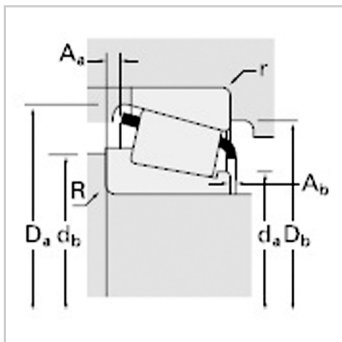
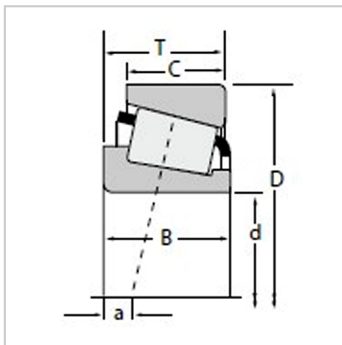


Taper Roller Bearing

d 508.000-615.950-LL575343LL575310



Bearing model :

Inner ring :	LL575343
Outer ring :	LL575310

Dimension mm :

d :	533.4
D :	635
T :	50.8

Rated load n :

Dynamic load :	762000
Coefficiente :	0.41
Coefficienty :	1.48
Dynamic load :	198000
Dynamic load :	137000
Coefficientk :	1.44
Static load C :	2040000

Bearing size mm :

B :	50.8
C :	38.1
a :	50.8

Shaft size mm :

Maximum shoulder chamfer radius r :	6.4
Shoulder diameter d :	549
Shoulder diameter d :	558

Dimension of bearing pedestal mm :

Maximum shoulder chamfer radius r :	6.4
Shoulder diameter d :	621
Shoulder diameter d :	612

Cage :

A : 4.6

A : 2.8

coefficient :

G : 4810

G : 1200

G : 0.227

Weight kg : 28.27

:

Tapered roller bearing belongs to separate bearing, and the inner and outer rings of the bearing have tapered raceways. This type of bearing is divided into single row, double row and four row tapered roller bearings according to the number of rows of rollers installed. Single row tapered roller bearings can withstand radial load and axial load in a single direction. When the bearing bears radial load, an axial component will be generated, so another bearing that can bear the axial force in the opposite direction is needed to balance.