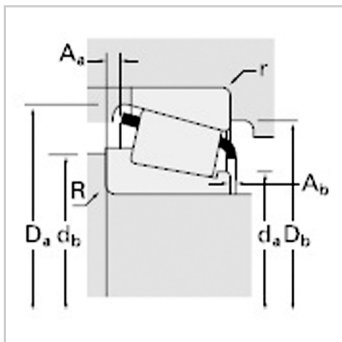
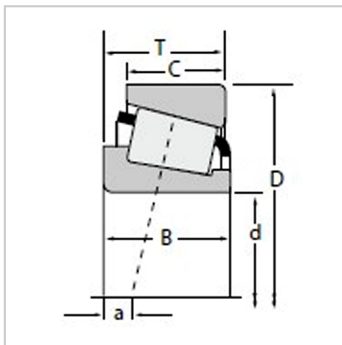


Taper Roller Bearing

d 508.000-615.950-M278749M278710



Bearing model :

Inner ring : M278749

Outer ring : M278710

Dimension mm :

d : 571.5

D : 812.8

T : 155.575

Rated load n :

Dynamic load : 4440000

Coefficiente : 0.33

Coefficienty : 1.8

Dynamic load : 1150000

Dynamic load : 656000

Coefficientk : 1.76

Static load C : 10600000

Bearing size mm :

B : 155.575

C : 120.65

a : -11.4

Shaft size mm :

Maximum shoulder
chamfer radius r : 6.4

Shoulder diameter d : 609

Shoulder diameter d : 615

Dimension of bearing
pedestal mm :

Maximum shoulder
chamfer radius r : 6.4

Shoulder diameter d : 773.5

Shoulder diameter d : 756

Cage :

A :	15.1
-----	------

A :	5.8
-----	-----

coefficient :

G :	12400
-----	-------

G :	669
-----	-----

G :	0.299
-----	-------

Weight kg :	244.54
-------------	--------

:

Tapered roller bearing belongs to separate bearing, and the inner and outer rings of the bearing have tapered raceways. This type of bearing is divided into single row, double row and four row tapered roller bearings according to the number of rows of rollers installed. Single row tapered roller bearings can withstand radial load and axial load in a single direction. When the bearing bears radial load, an axial component will be generated, so another bearing that can bear the axial force in the opposite direction is needed to balance.