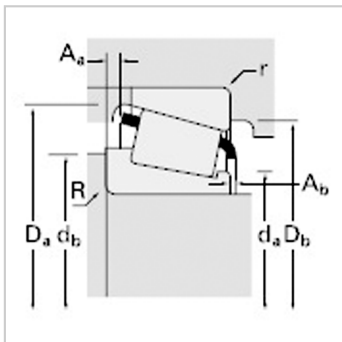
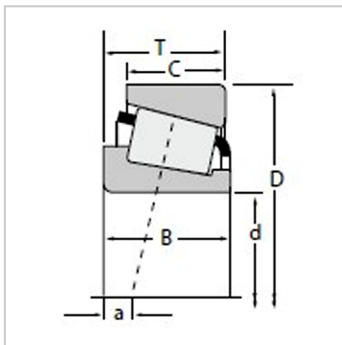


Taper Roller Bearing

d 508.000-615.950-LL778149LL778110



Bearing model :

Inner ring :	LL778149
Outer ring :	LL778110

Dimension mm :

d :	584.2
D :	685.8
T :	49.212

Rated load n :

Dynamic load :	783000
Coefficiente :	0.44
Coefficienty :	1.37
Dynamic load :	203000
Dynamic load :	152000
Coefficientk :	1.34
Static load C :	2280000

Bearing size mm :

B :	49.212
C :	34.925
a :	64.5

Shaft size mm :

Maximum shoulder chamfer radius r :	3.5
Shoulder diameter d :	600
Shoulder diameter d :	603

Dimension of bearing pedestal mm :

Maximum shoulder chamfer radius r :	3.3
Shoulder diameter d :	669
Shoulder diameter d :	663

Cage :

A :	5.1
-----	-----

A :	2.6
-----	-----

coefficient :

G :	5980
-----	------

G :	1580
-----	------

G :	0.2494
-----	--------

Weight kg :	28.83
-------------	-------

:

Tapered roller bearing belongs to separate bearing, and the inner and outer rings of the bearing have tapered raceways. This type of bearing is divided into single row, double row and four row tapered roller bearings according to the number of rows of rollers installed. Single row tapered roller bearings can withstand radial load and axial load in a single direction. When the bearing bears radial load, an axial component will be generated, so another bearing that can bear the axial force in the opposite direction is needed to balance.